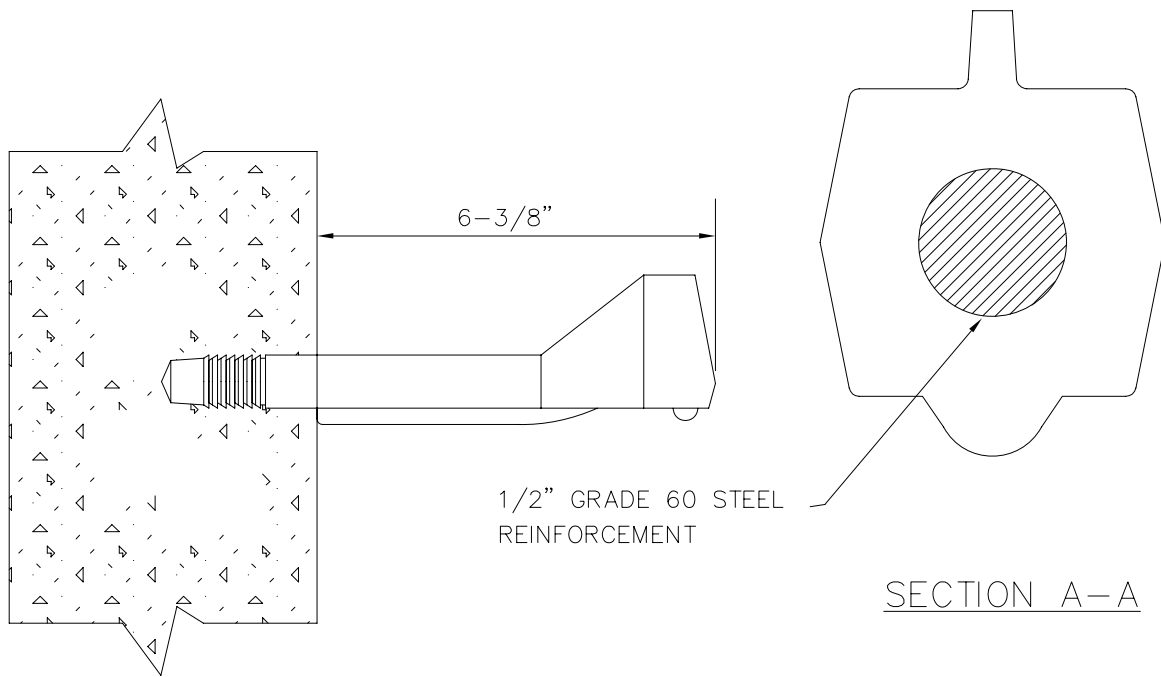


COPOLYMER POLYPROPYLENE PLASTIC



DATE
7/2007



PLATTE CANYON
WATER & SANITATION DISTRICT

DRAWING
D.11S

PLASTIC
STEP