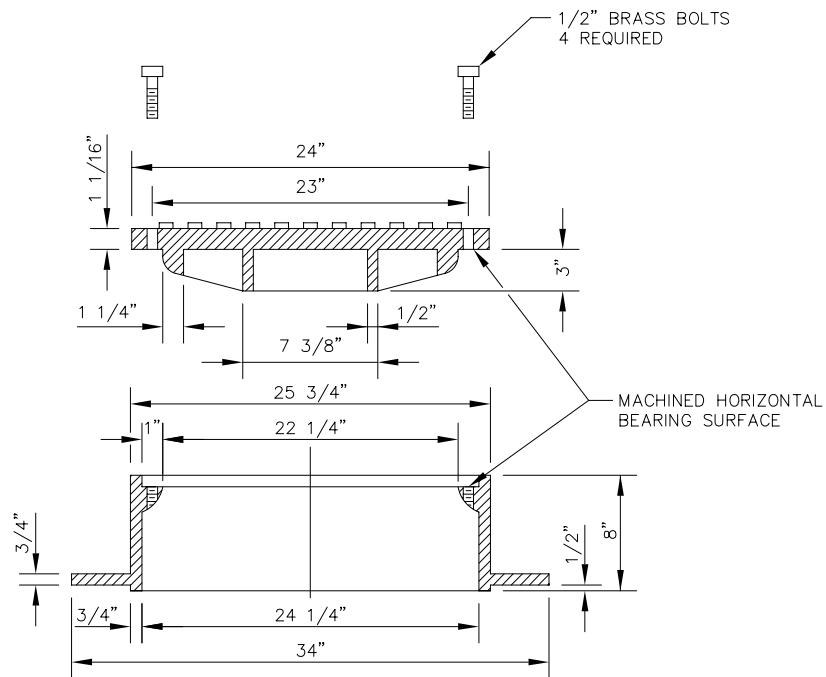


PLAN



SECTION A-A

NOTE:

1. CASTING SPECIFICATIONS: ASTM A-48 WITH A MINIMUM TENSILE STRENGTH OF 25 KSI (CLASS 25)
2. ALL CASTINGS TO BE DIPPED IN ASPHALT BASE PAINT (OR APPROVED EQUAL)
3. CASTINGS SHALL BE AS SPECIFIED BELOW OR EQUAL: (CAST IRON ONLY)
4. COVER SHALL HAVE SELF CENTERING BOLT HOLES.

MANUFACTURERS	CAT. #
J MARK CORP.	J-1161

DATE  
7/2007



PLATTE CANYON  
WATER & SANITATION DISTRICT

DRAWING  
D.9S

24" RING &  
BOLT DOWN COVER