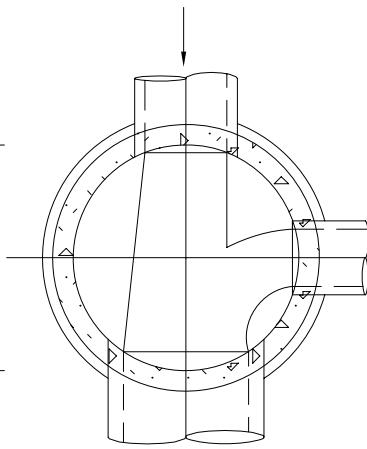
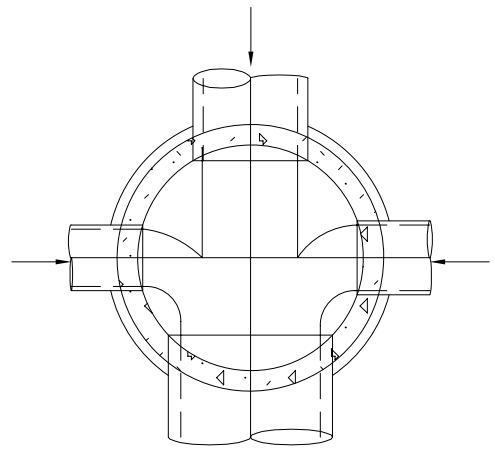


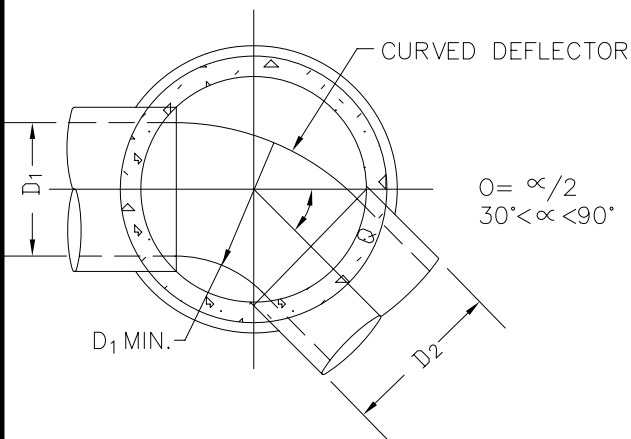
THROUGH PIPE



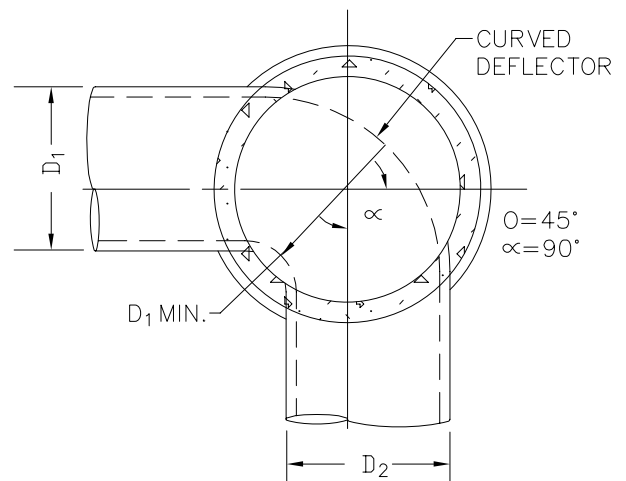
THROUGH PIPE  
ONE COLLECTION LINE



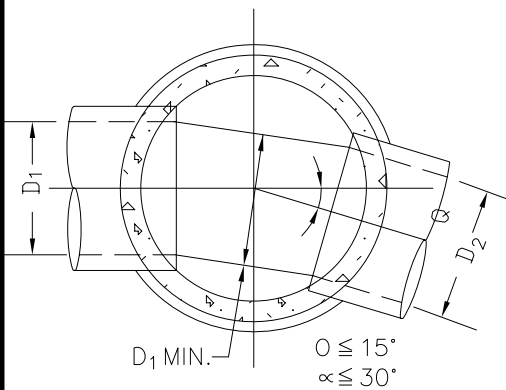
THROUGH PIPE  
TWO COLLECTION LINES



INTERMEDIATE ANGLE

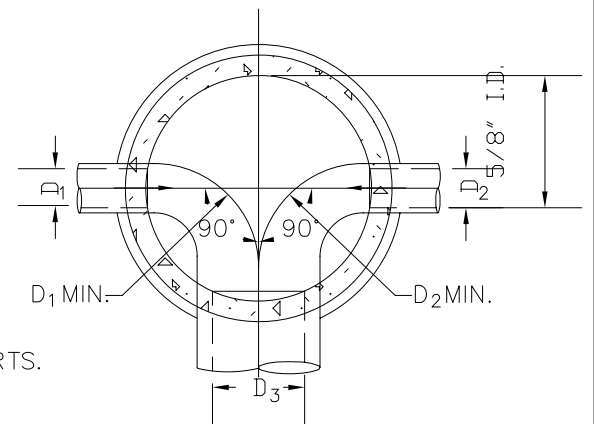


SHARP ANGLE



INTERMEDIATE ANGLE

NOTE:  
1. DETAILS SHOWN ARE TYPICAL  
ONLY FOR INSTALLATIONS  
WITH A MAXIMUM OF UP TO  
( INSIDE DROP )  
18 INCH DIFFERENCE IN INVERTS.



OPPOSED LATERALS

DATE  
7/2007



PLATTE CANYON  
WATER & SANITATION DISTRICT

DRAWING  
D.6S

BASE & DEFLECTOR  
DETAIL