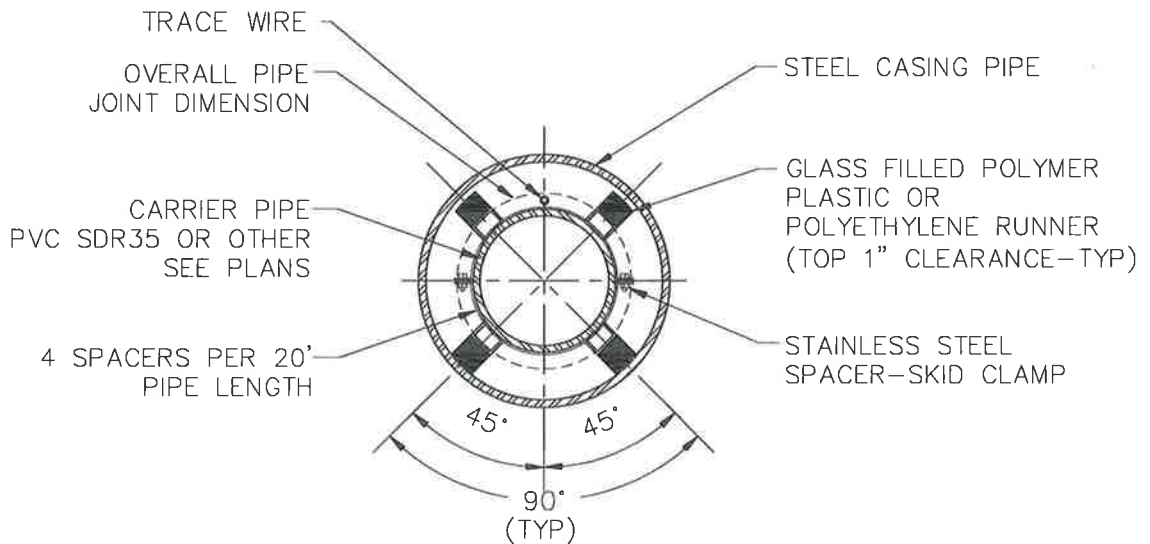


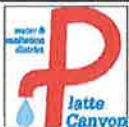
SLED DETAIL



PIPE CASING DETAIL

CARRIER PIPE NOMINAL ϕ	CASING PIPE	
	MIN OD	MIN WALL THICKNESS
6"	16"	0.375"
8"	20"	0.375"
10"	24"	0.375"
12"	30"	0.375"
15"	36"	0.500"
18"	42"	0.500"
24"	48"	0.500"
30"	54"	0.500"

DATE
10/25/2019



PLATTE CANYON
WATER & SANITATION DISTRICT

DRAWING
D.17S

PIPE CASING AND
SPACER DETAIL